

GEMStar XT and XT-P GB™ Glovebox Interface



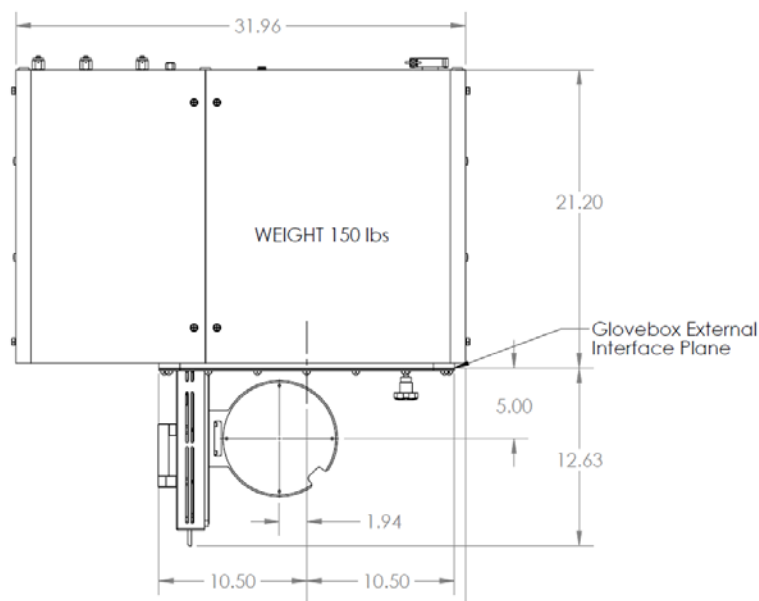
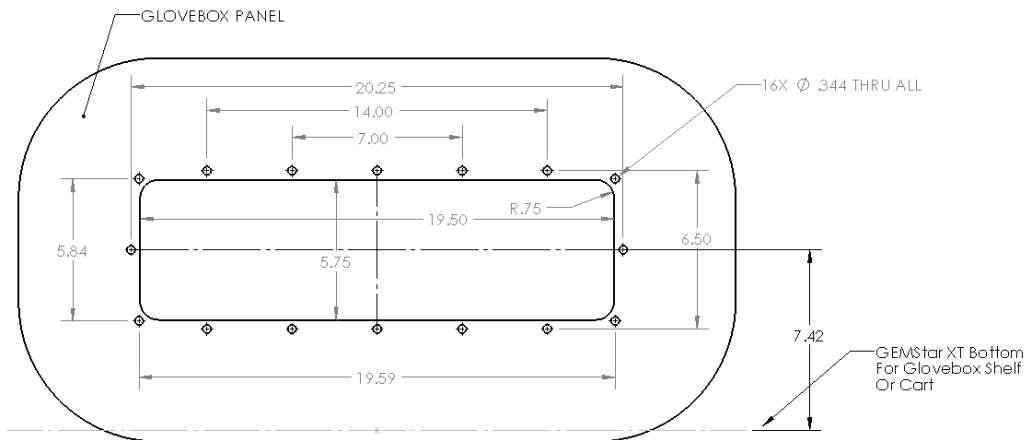
The GEMStar XT GB *Benchtop Glovebox Interface* is designed to offer GEMStar XT Benchtop ALD Systems the ability to maintain substrates in a clean Glovebox environment without requiring air exposure for ALD processing.

Some key features of the option include:

- ◆ GEMStar XT and XT-P Compatibility
- ◆ Minimal internal Glovebox space required
- ◆ Left, back, right mounting capability depending on Glovebox manufacturer and Glovebox depth

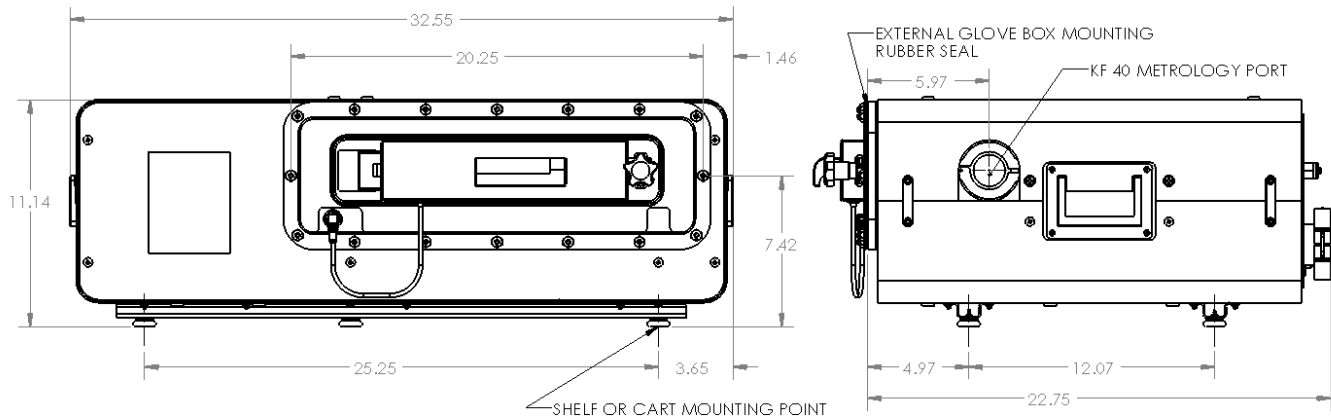


Glovebox Cutout for Interface R 062918



Molecular Innovation™

GEMStar XT and XT-P GB™ Glovebox Interface Option



GEMStar XT GB Specifications

Compatibility	GEMStar XT and XT-P Systems
Glovebox Mounting	16 1/4-20 Hardened Steel Studs with Internal Retainer and nuts
GS Reactor Seal	High temperature Kalrez O-ring
Glovebox Seal	3/8 Thick Plain Back Ultra-Strength Buna-N Rubber Gasket
Electronic Door Connector	O-ring Sealed IP67 - Dust Tight, Waterproof

